



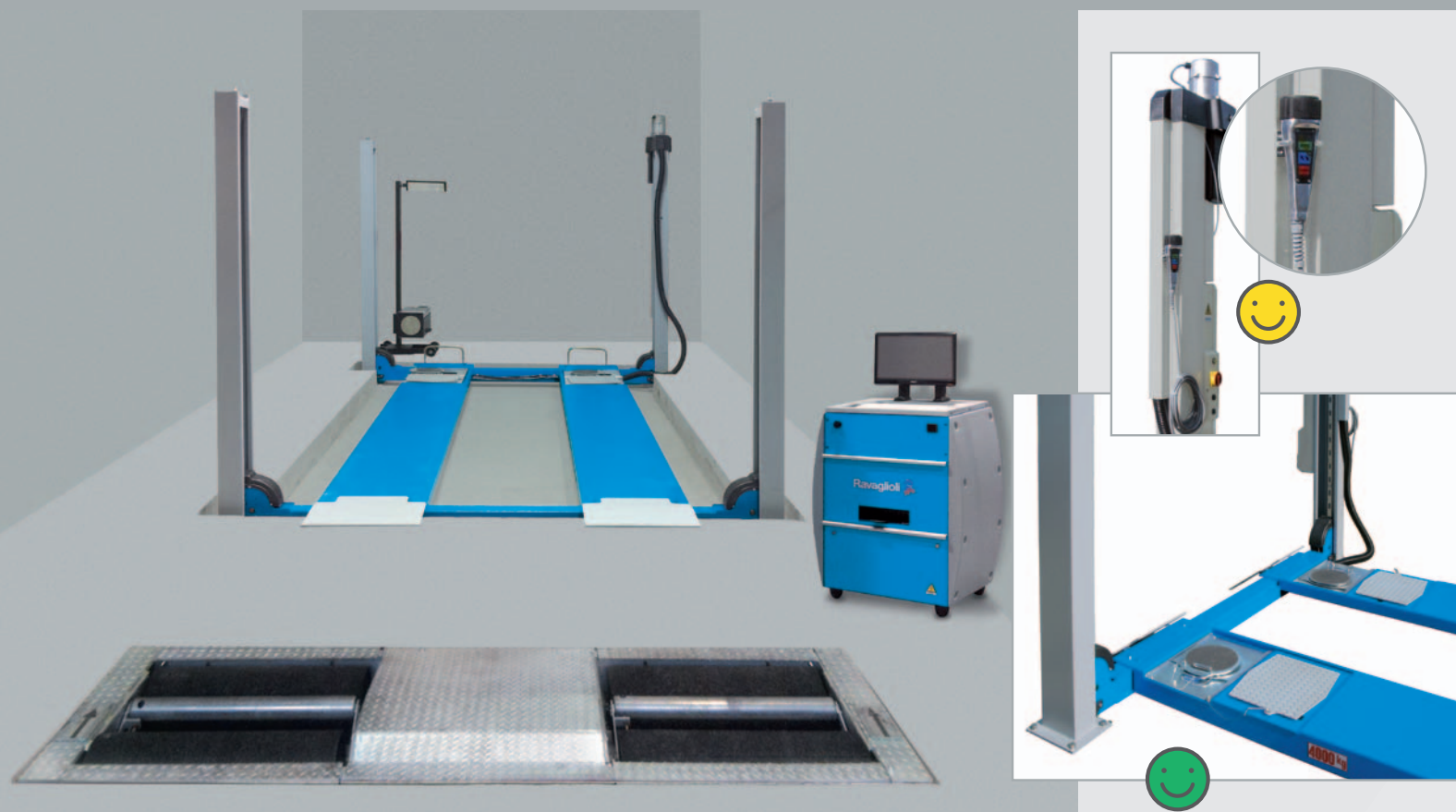
Ravaglioli



COMPANY WITH QUALITY MANAGEMENT
SYSTEM CERTIFIED BY DNV
= ISO 9001:2008 =

M.O.T. EQUIPMENT

4 post lifts
Scissor lifts
Roller Brake Testers



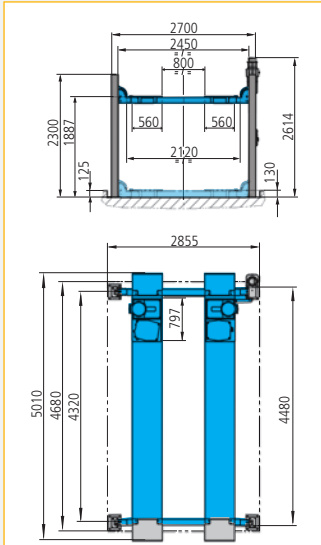


CLASS IV



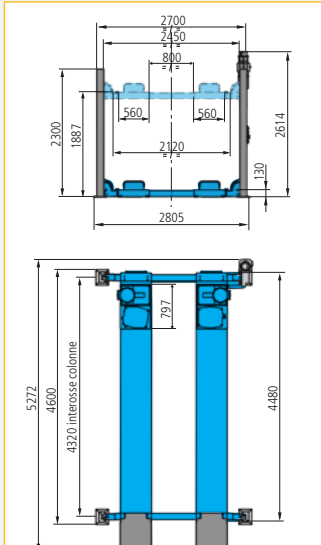
RAV 4400.3IMOT4

4 tonne four post lift class 4 ATL electro-hydraulic lift.



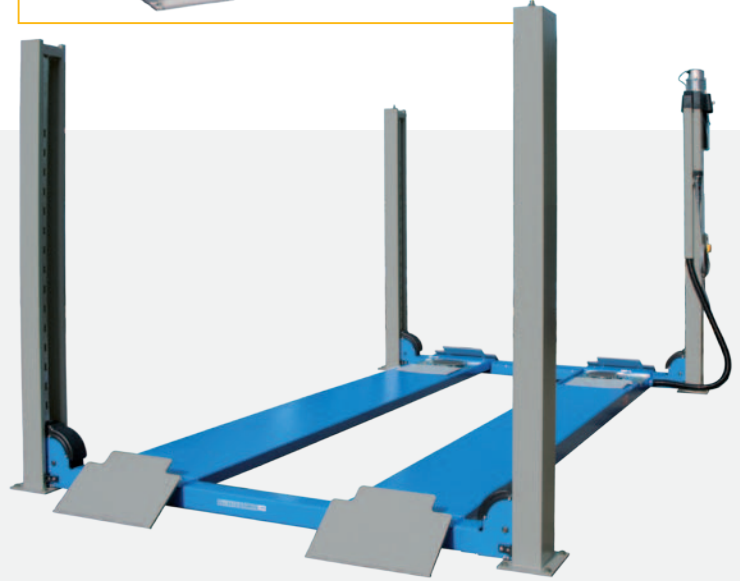
RAV 4400.3IMOT4

Recessed Version



RAV 4400.3IMOT4

Surface Version



| | |
|------------------|----------------|
| Technical Data | RAV4400.3IMOT4 |
| Lifting capacity | 4000 Kg |
| Height Lowered | 130 mm |
| Motor | 2,6 kW |

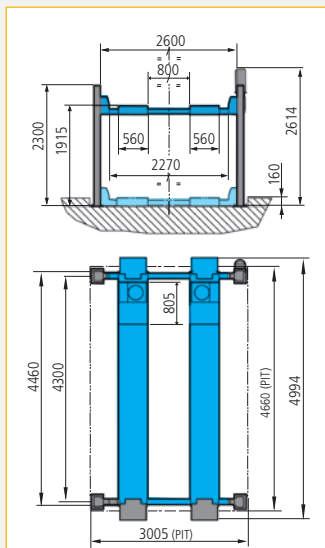


Halogen aluminium hand lamp with integrated controls for play detector (optional wireless play detector control) → ATL VERSION

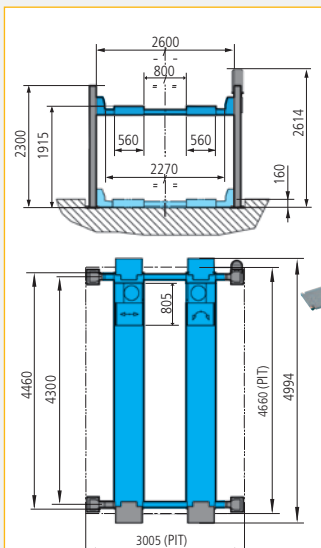
CLASS IV

RAV 4351.1T IMOT4

3,5 tonne four post lift class 4 MOT electro-hydraulic lift.



RAV 4351.1T IMOT4



RAV 4351.3 IMOT4

RAV 4351.3 IMOT4

3,5 tonne four post lift class 4 ATL electro-hydraulic.



| Technical Data | RAV4351.1T IMOT4 | RAV4351.3 IMOT4 |
|------------------|------------------|-----------------|
| Lifting capacity | | 3500 Kg |
| Height Lowered | | 160 mm |
| Motor | | 2,6 kW |

CLASS VII

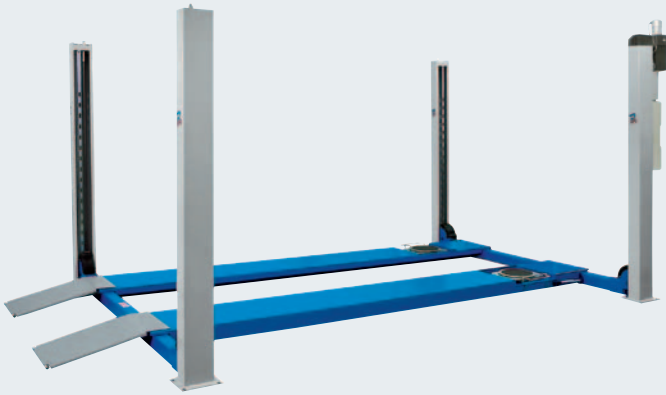


RAV 4400.1 IMOT7

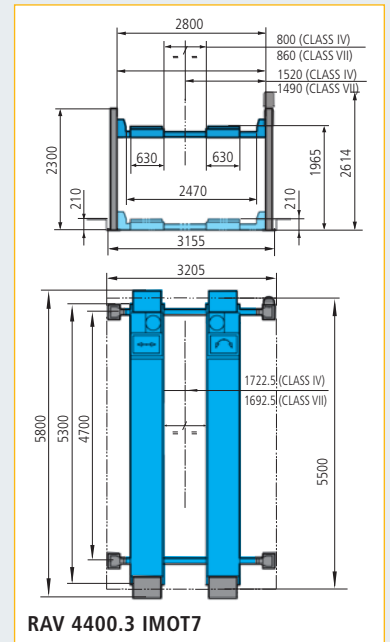
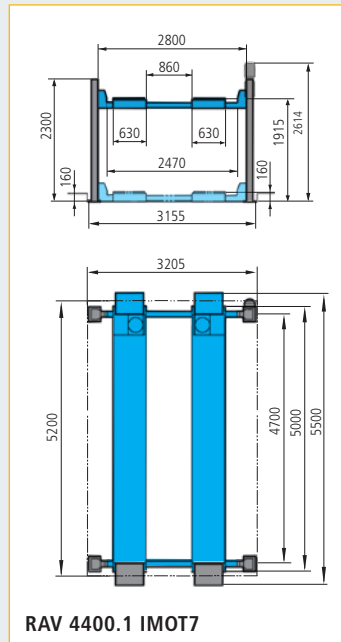
4 tonne four post lift class 7 MOT electro-hydraulic lift.

RAV 4400.3 IMOT7

4 tonne four post lift class 7 ATL electro-hydraulic lift.



| Technical Data | RAV4400.1 IMOT7 | RAV4400.3 IMOT7 |
|------------------|-----------------|-----------------|
| Lifting capacity | 4000 Kg | 4000 Kg |
| Height Lowered | 160 mm | 210 mm |
| Motor | 2,6 kW | 2,6 kW |



Steel coated hydraulic operated play detectors → ATL VERSION

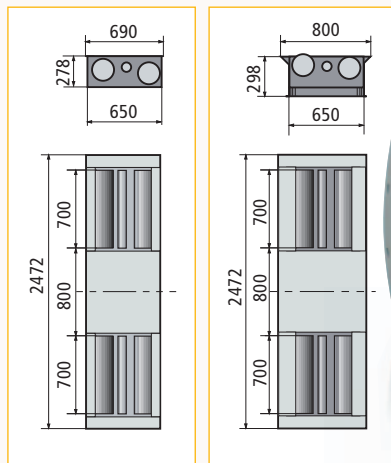
CLASS IV

Brake testers

CLASS VII

RAV RT009/MOT IV RAV RT009/MOT IV-P (ATL)

RAV RT009/MOT VII RAV RT009/MOT VII-P (ATL)

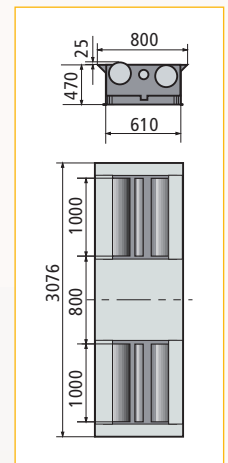


MOT IV

MOT IV- P

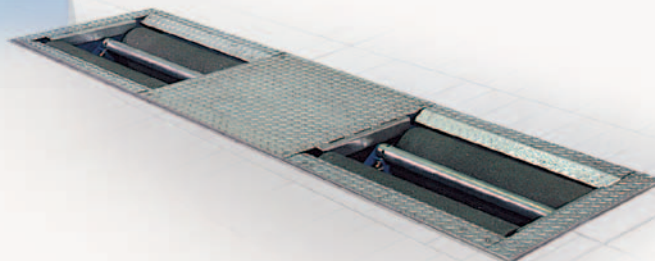


| Technical Data | class IV | class VII |
|--------------------------|----------|-----------|
| Max test weight per axis | 2500 Kg | 4000 Kg |
| Motors | 2 x 4,75 | 2 x 5,5 |



MOT VII - MOT VII-P

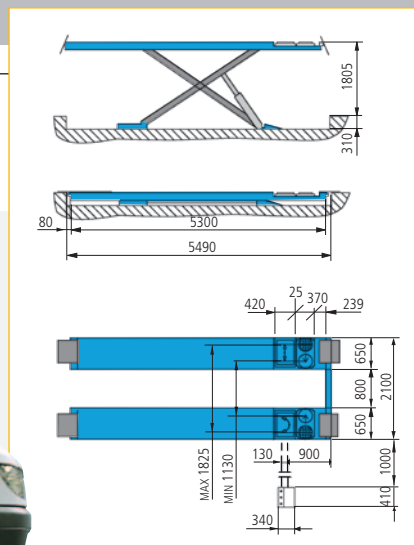
19" monitor - wireless hand control
colour printer - easy to use.



CLASS VII

RAV 650 IMOT7

5 tonne scissor lift class 7 ATL electro-hydraulic lift.



Technical Data RAV650 IMOT7

Lifting capacity 5000 Kg

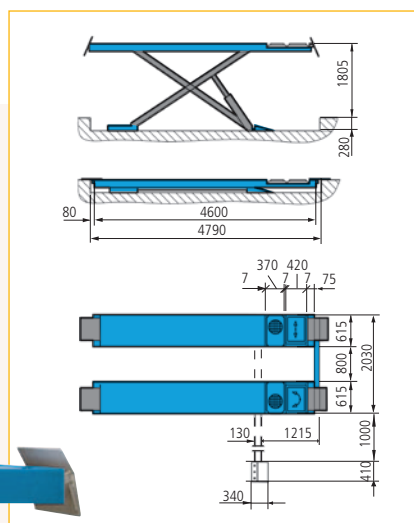
Height Lowered 310 mm

Motor kW 2,6 kW

CLASS IV

RAV 635 IMOT4

3,5 tonne scissor lift class 4 ATL electro-hydraulic lift.



Technical Data RAV635 IMOT4

Lifting capacity 3500 Kg

Height Lowered 280 mm

Motor kW 2,6 kW

Ravaglioli



Ravaglioli S.p.A.
via 1° maggio 3
Fraz. Pontecchio M.
40037 Sasso Marconi (Bo) - Italia
Tel. +39 - 051 - 6781511
Fax +39 - 051 - 846349
rav@ravaglioli.com
www.ravaglioli.com