

VOLVO CARS RECOMMENDED



Attrezzatura consigliata
Recommended equipment
Empfohlene Werkstattausrüstung
Equipements conseillé
Equipos recomendados



Ravaglioli



COMPANY WITH QUALITY MANAGEMENT
SYSTEM CERTIFIED BY DNV
= ISO 9001:2008 =



SCISSOR LIFTS



Lifts with flat platforms

RAV 635.1 / 3500 kg

RAV 640.1 / 4000 kg

RAV 650.1 / 5000 kg

Volvo specification number: 0.105.02

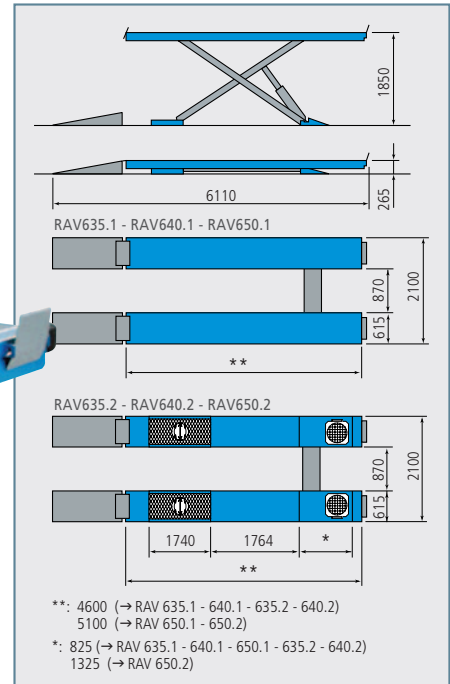
Wheel alignment lifts

RAV 635.2 / 3500 kg

RAV 640.2 / 4000 kg

RAV 650.2 / 5000 kg

Volvo specification number: 0.105.02

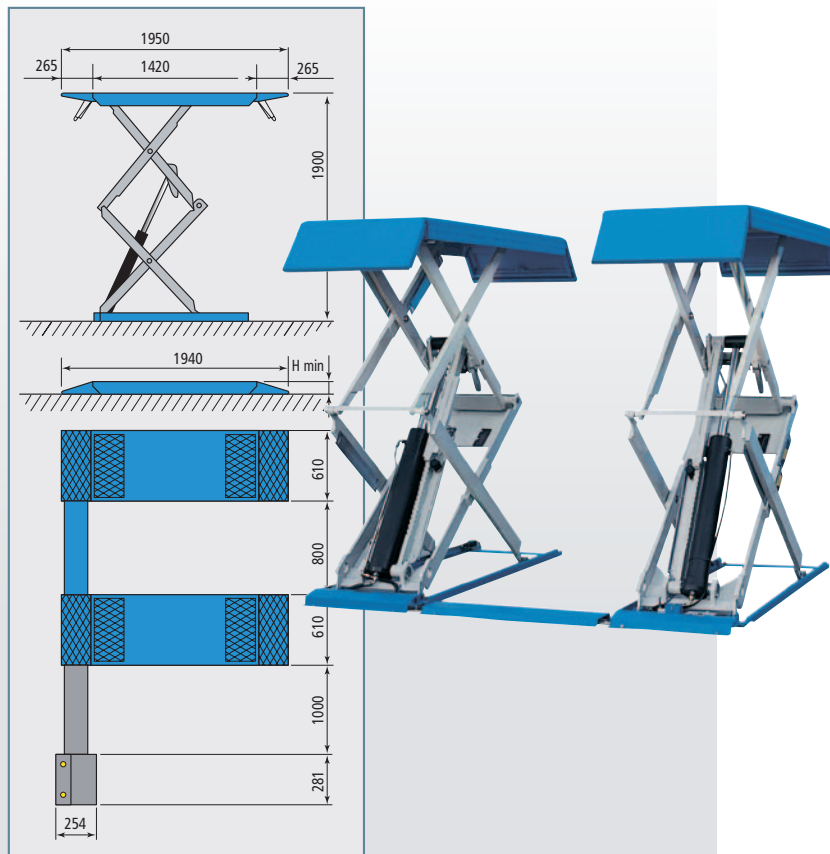


LOW PROFILE SCISSOR LIFTS

RAV 518NL / 3000 kg (H min = 100 mm)

RAV 518T / 3000 kg (H min = 95 mm)

Volvo specification number: 0.104.02



JACKING BEAM

J20 / 2000 kg

Volvo specification number: 0.103.02

air-hydraulic

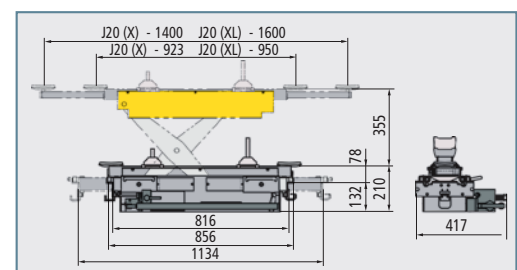
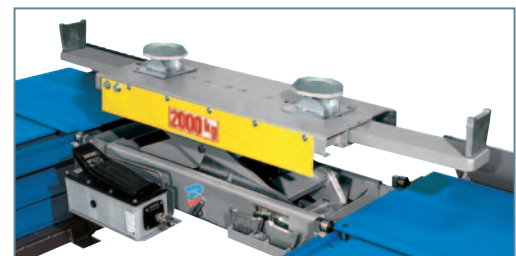
J20 PNX

air-hydraulic large

J20 PNXL

Air-hydraulic scissor wheel-free jack

- Great lifting height
- Operated by means of hand-pump or air-hydraulic pump.
Pneumatic feed pressure 6 ± 10 bar
- Translation device on elastic rollers
- Automatically-engaging and pneumatic-release mechanical lock device
- Two-hand "deadman" lowering control



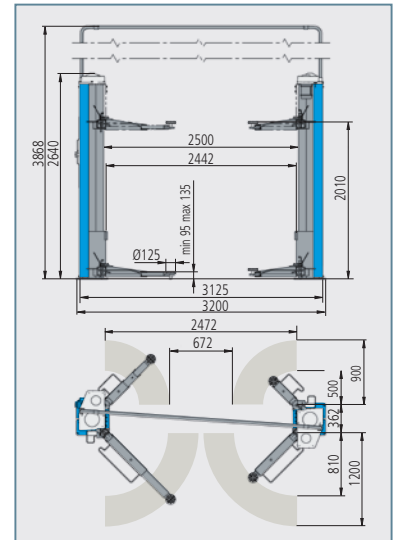


2 POST LIFTS



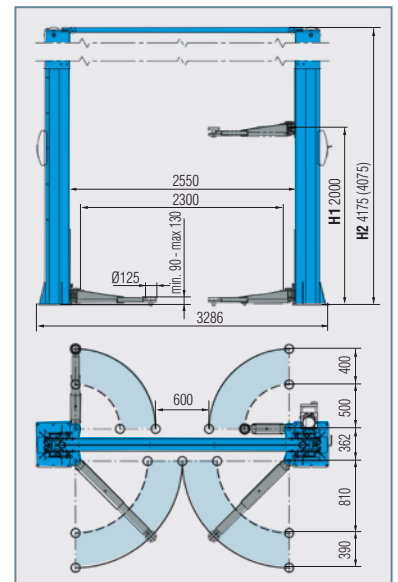
Electromechanical baseless 2-post lift

KPX 337WK / 3200 kg
Volvo specification number: **0.101.01**



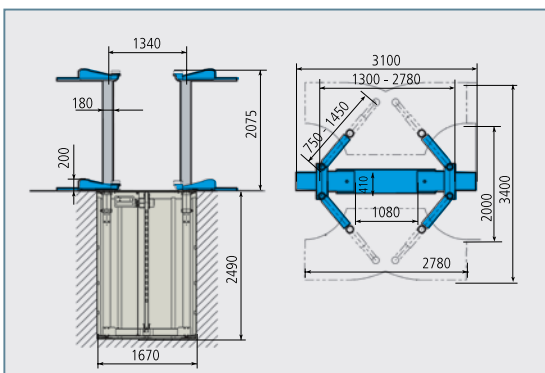
Electrohydraulic baseless 2-post lift

KPH 370.32K / 3200 kg
Volvo specification number: **0.101.01**

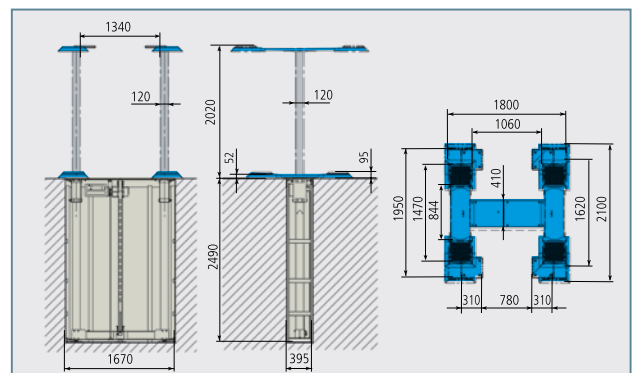


IN GROUND PISTON LIFTS

RAV 1110K / 3500 kg
Version with lifting arms
S1110A1/WP - Complete waterproof frame
Volvo specification number: **0.10X.0X**



RAV 1125M / 3500 kg
Lift with adjustable track of pick up supports
S1110A1/WP - Complete waterproof frame
Volvo specification number: **0.10X.0X**



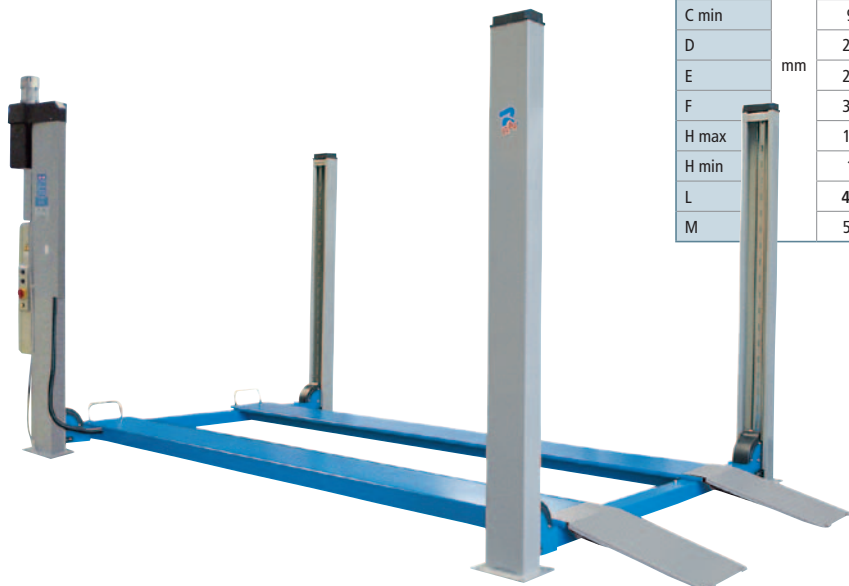
Versions with flat platforms

RAV 4401 / 4000 kg

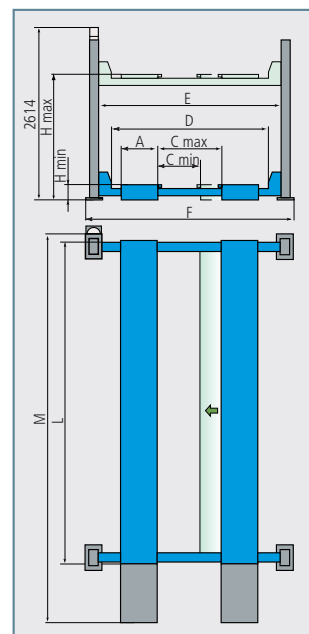
RAV 4405E / 4000 kg

RAV 4501E / 5000 kg

Volvo specification number: **0.103.02**



Technical Data				
		RAV 4401	RAV 4405E	RAV 4501E
Capacity	kg	4000		5000
Motor	kW	2,6		
Dimensions				
A	mm	500		530
C max		1250		
C min		910	860	786
D		2470	2670	2645
E		2800	3000	
F		3365	3355	
H max		1905	1915	
H min		150	160	
L		4460	5100	
M		5190	6170	



Versions for full wheel alignment

RAV 4402 / 4000 kg

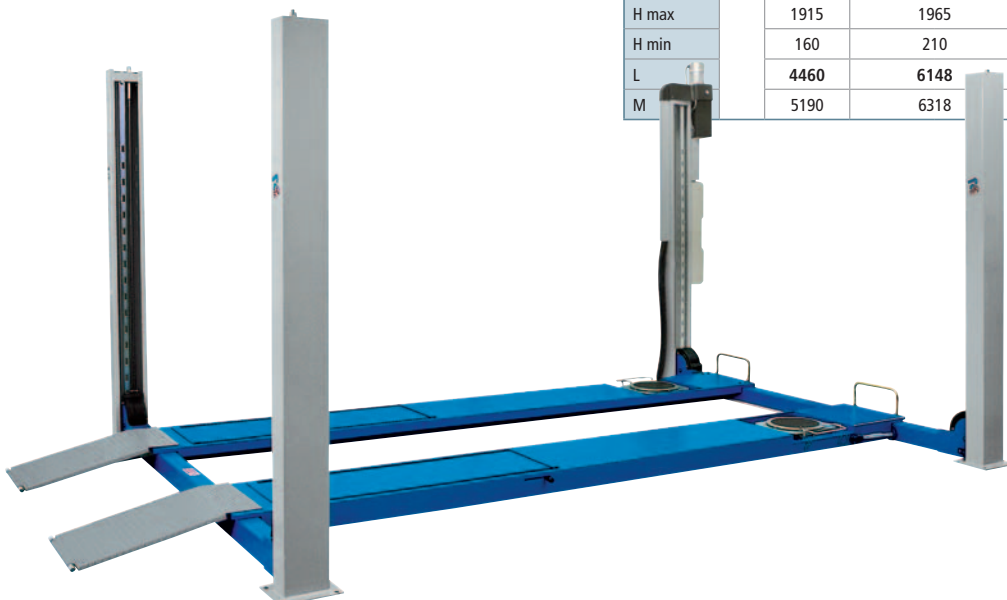
RAV 4406E / 4000 kg

Platforms for total wheel alignment with front turning plates locations and rear slip plates.

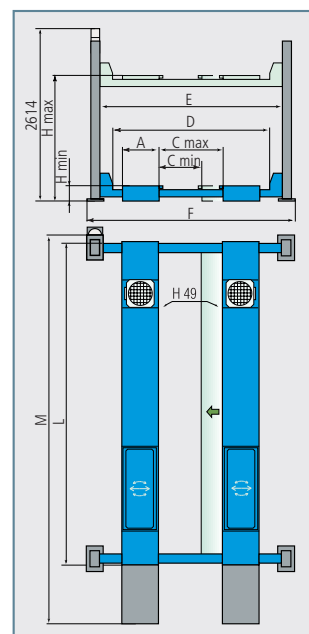
RAV 4502E / 5000 kg

Extra-long platforms for total wheel alignment with front turning plates locations and rear slip plates.

Volvo specification number: **0.103.02**



Technical Data				
		RAV 4402	RAV 4406E	RAV 4502E
Capacity	kg	4000		5000
Motor	kW	2,6		
Dimensions				
A	mm	530		
C max		1210	1225	1180
C min		860	853	786
D		2470	2670	2645
E		2800	3000	
F		3365	3355	
H max		1915	1965	
H min		160	210	
L		4460	6148	
M		5190	6318	





WHEEL ALIGNMENT



Infra-red transmission among measuring heads.
Bluetooth transmission between front measuring heads and control unit.
Maximum mobility between different working positions thanks to the absence of cables and any fix structure.



STANDARD

- 1 control unit with PC, key-board, printer and battery-charger
- 2 front measuring heads
- 2 rear measuring heads
- 2 pair of four point clamps (TD1850WS) or three point clamps (TD1780WS)
- 1 pair of S110A7 turn tables
- 1 brake pedal depressor
- 1 steering wheel lock
- Instruction manual on CD

RAVTD1780WS

TFT 19" monitor.
8-CCD sensor wheel aligner.
Volvo specification number: 6.101.01

RAVTD1850WS

TFT 22" monitor.
8-CCD sensor wheel aligner.
Volvo specification number: 6.101.01

BRAKE TESTER

RAV RT009/4SE

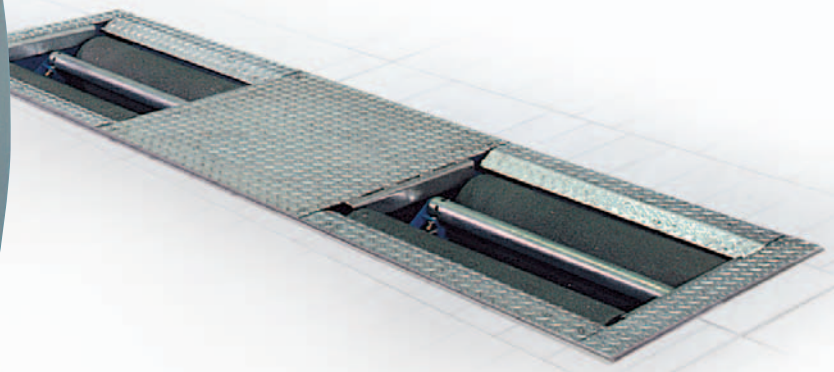
Computerised control unit with colour TFT monitor 17".

Volvo specification number: 5.101.04



RAV RT102N

Roller brake tester
Motors: 4,7 + 4,7 kW
Breaking measurement up to 6000N
Available also with selfbraking motors and built-in weighting unit.





G7441.22

Automatic tyre changer with tilting column.
 External self-centering lock: 11"-22"
 Internal self-centering lock: 13"-24,5
 Maximum tyre width: 12"

Volvo specification number: 7.102.02



G7641IV.22 + PLUS83

Automatic tyre changer with:
 • tilting column
 • a large and reinforced frame
 • with 2 speed motor
 • inflation device

External self-centering lock: 11"-22"
 Internal self-centering lock: 13"-24,5
 Maximum tyre width: 15"
PLUS83 - Helping arm

Volvo specification number: 7.102.03



Recommended accessories:

G800A5 - 4 clamp protections

G800A8 - Tool protection

G800A11 - Bead breaker protection

WHEEL BALANCERS

G2.124H

Professional wheel balancer with automatic distance and diameter measurement.
 LCD display 132x40 mm.
 Complete with wheel hood, car cones and quickfit nut.

Volvo specification number: 7.101.02



Recommended accessories:
GAR131H - Universal flange

G3.140H

Professional wheel balancer with automatic distance and diameter measurement.
 Colour monitor TFT 17" with industrial PC.
 Complete with wheel hood, car cones and quickfit nut.

Volvo specification number: 7.101.02



Recommended accessories:
GAR131H - Universal flange
GAR213 - Width gauge



Ravaglioli

Ravaglioli S.p.A.
 40037 Sasso Marconi Fraz. Pontecchio M. - P.O.B. 1690 - Bologna - Italia
 Tel. +39 - 051 - 6781511 - Fax +39 - 051 - 846349
 rav@ravaglioli.com - www.ravaglioli.com