



Ravaglioli

COMPANY WITH QUALITY MANAGEMENT
SYSTEM CERTIFIED BY DNV
= ISO 9001:2008 =

APPROVED EQUIPMENT
ATTREZZATURE OMOLOGATE
EQUIPEMENTS AGRÉES
EQUIPOS HOMOLOGADOS
WERKSGELISTETE GERÄTE



KPH 370.32 - kg 3200
FSE 491 1106 002 00

KPH 370.42 - kg 4200
FSE 491 1106 005 00



FSE
FORD SERVICE EQUIPMENT



TD 1850WS FSE - 8CCD - Bluetooth
FSE 491 2301 003 00
TD 2200WS FSE - 8CCD - Bluetooth
FSE 491 2301 004 00



TD 1780WS FSE - 8CCD - Bluetooth
FSE 491 2301 002 00
TD 1760WS FSE - 6CCD - Bluetooth
FSE 491 2301 001 00



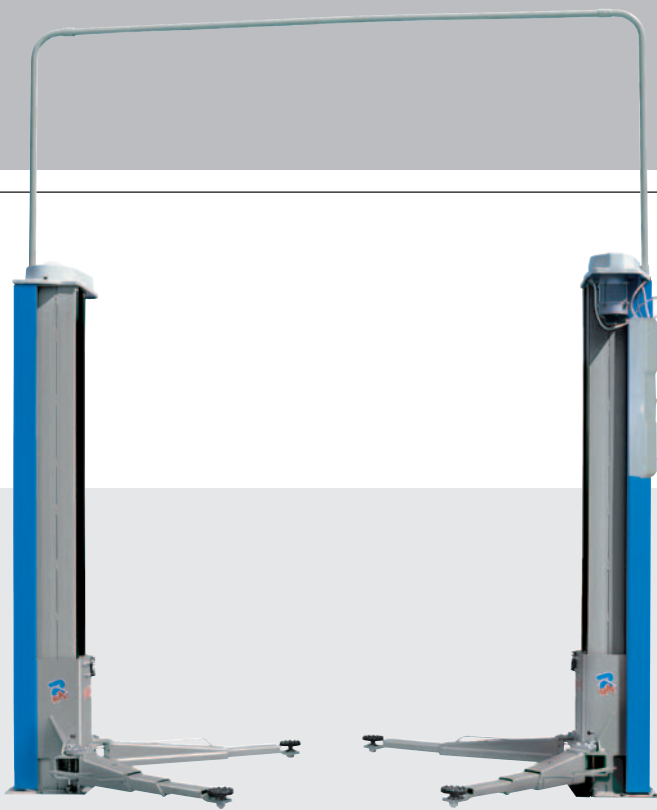
RAV 640.2 S1 - kg 4200 - alignment
FSE 491 1108 002 00
RAV 640.1 - kg 4200
FSE 491 1108 001 00



RAV 4350 - kg 3500 - 4300 mm
FSE 491 1107 001 00
RAV 4405E - kg 4000 - 5100 mm
FSE 491 1107 003 00
RAV 4406E - kg 4000 - 5100 mm - alignment
FSE 491 1107 002 00



J20NX - Hand pump - kg 2000
FSE 491 1108 001 01
J20PNXL - Air-hydraulic - kg 2000
FSE 491 1108 001 02

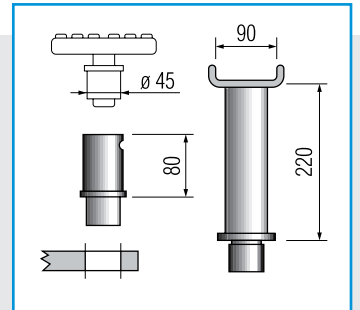


KPX 336W - kg 2700
FSE 491 1106 001 00

KPX 337W - kg 3200
FSE 491 1106 002 00

KPN 349WELIK - kg 4200
FSE 491 1106 005 00

KPN 250 LIKT - kg 5000
FSE 491 1106 006 00



S 305 A9 - Transit extension
FSE 491 1106 005 01

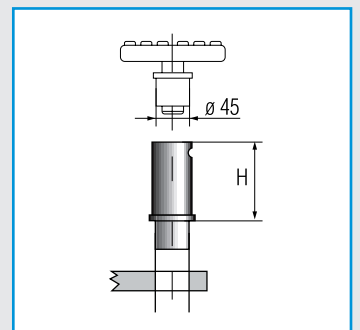


KPS 326H - kg 2700
FSE 491 1106 007 00

KPS 305HE - kg 2700
FSE 491 1106 009 00

KPS 327H - kg 3200
FSE 491 1106 008 00

KPS 306HE - kg 3200
FSE 491 1106 010 00



S 224 A4 - 140 mm extension
FSE 491 1106 005 02



RT 009/4SE - FSE
FSE 491 2201 001 01

RT 011/4SE - FSE
FSE 491 2201 001 02

RT 102N
FSE 491 2201 002 00

RT 202
FSE 491 2201 001 03/

RT 320IN
FSE 491 2201 001 04

RAV 640.1 - kg 4200
FSE 491 1108 001 00





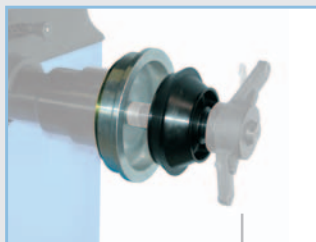
G 7240.20
FSE 491 2101 001 00



G 7441.20
FSE 491 2101 002 00



G 7641.24 PLUS 83
FSE 491 2101 003 00 FSE 491 2101 003 01



GAR 113 - Ø 120-174
FSE 491 2102 001 01



G2.124H
FSE 491 2102 001 00



RAV 518T
H min. 95 mm - kg 3000
FSE 491 1108 005 00



RAV 518NL
H min. 110 mm - kg 3000
FSE 491 1108 006 00



SC 20L - kg 2000
FSE 491 1113 002 00



PX 15F - 15 t
FSE 491 1113 001 00

ITALIA

Ravaglioli S.p.A.
via 1° maggio 3
Fraz. Pontecchio M.
40037 Sasso Marconi (Bo) - Italia
Tel. +39 - 051 - 6781511
Fax +39 - 051 - 846349
rav@ravaglioli.com
www.ravaglioli.com

FRANCE

RAV France
6, Rue Longue Raie
ZAC de la Tremblaie
91220 Le Plessis Pâté
Tel. 01.60.86.88.16
Fax 01.60.86.82.04
rav@ravfrance.fr

DEUTSCHLAND

Ravaglioli Deutschland
Kirchenpoint 22
85354 Freising
Tel. 08165-646956
Fax 08165-646958
info@ravaglioli.de

UNITED KINGDOM

RAV Equipment UK LTD
Prince Albert House
20 King Street
Maidenhead, SL6 1DT
Tel. 020-76286832
Fax 020-76286833
ravuk@ravaglioli.com

ESPAÑA

RAV Equipos España
Avenida Europa 17
Pol. Ind. de Constanti
Tarragona 43120
Tel. 977 524525
Fax 977 524532
ravequipos@ravaglioli.e.telefonica.net

